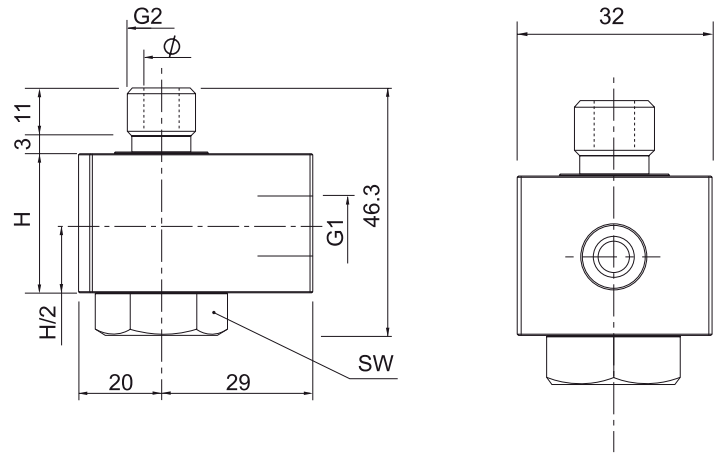




90° Chrome Plated Swivels 300 090 130 Serie

90° Chrome Plated Swivels

Product nr.	300 090 130 Serie
Max Temperature	90°C
Pressure	150BAR
Max RPM	40RPM
Body Material	Chrome Plated Brass
Internal Part	Stainless Steel
Snap ring	No
Seal	O-ring
Bearing	Sliding
Weight	320g


Features

- Brass housing and multi-layers coating for anti-corrosion
- Stainless steel 316 internal part
- Easy turning connection for high pressure hoses
- Ceiling boom carwash system and hose reel

Product Parts

Product nr.	G1	G2	SW	H	Ø
300 090 132	1/4" F	1/4" M	22	26	7
300 090 133	3/8" F	3/8" M	22	26	7
300 090 134	1/4" F	3/8" M	22	26	7
300 090 135	3/8" F	1/4" M	22	26	7
300 090 137	1/4" F	1/4" M	22	26	7