



Flow Switches

100 080 060, 070, 075

Flow Switches

Product nr.	100 080 060
Max Flow	150L/Min
Max Pressure	150BAR
Inlet Port	3/4" F
Outlet Port	3/4" F
Max Temperature	90°C
Weight	1.5kg

Product nr.	100 080 070
Max Flow	35L/Min
Max Pressure	300BAR
Inlet Port	3/8" F
Outlet Port	3/8" F
Max Temperature	90°C
Weight	500g

Product nr.	100 080 075
Max Flow	70L/Min
Max Pressure	300BAR
Inlet Port	1/2" F
Outlet Port	1/2" F
Max Temperature	90°C
Weight	800g

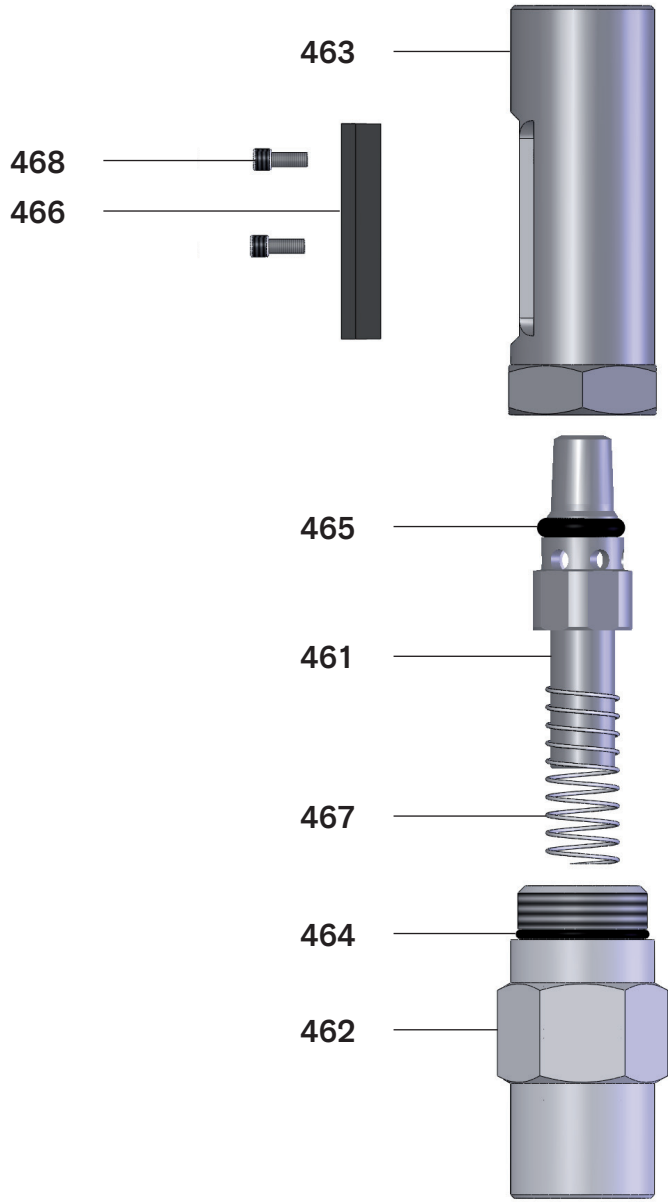
Sensors

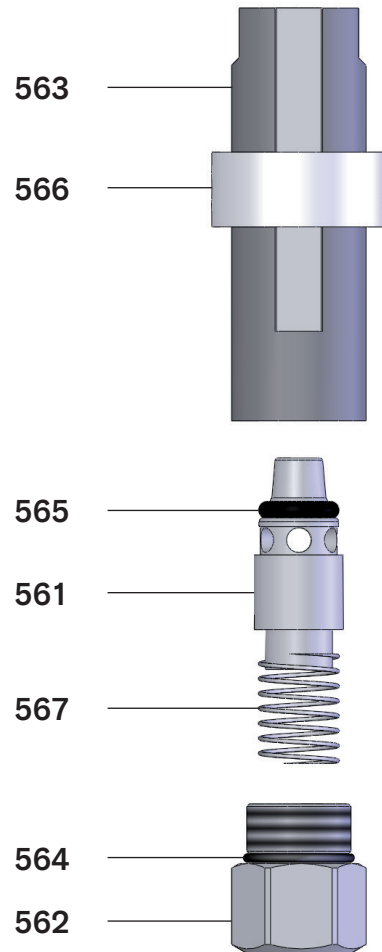
Product nr.	275 013 111
Type	Three Wire PnP Sensor

Product nr.	275 013 131
Type	Two Wire Reed Sensor

Features

- Stainless Steel flow switch fits with magnetic plunger
- Can detect the flow of liquid from 1-10L/Min
- Fitted with magnetic sensing read contact or transistor relay
- Offers pump protection against restarting with pressure drop
- Plunger with O-ring, flow switch works as a check valve at the same time
- Can handle both high and low volume flow





Product nr.	Item	Description	Material	Part nr.
100 080 060	461	Plunger	PEEK	110 080 061
	462	Big Nipple 3/4" F	SS304	110 080 062
	463	Housing 3.4" F	SS304	110 080 063
	464	O-ring 32x2.5	NBR90	510 500 619
	465	O-ring 13.64x5.33	NBR90	510 500 612
	466	Sensor Mount	Pom	110 080 064
	467	Spring	High Tension Steel	110 080 065
	468	Bolt	SS304	110 080 067

Product nr.	Item	Description	Material	Part nr.
100 080 070	561	Plunger	PEEK	110 080 071
	562	Nut 3/8" F 1/2" M	SS304	110 080 072
	563	Housing 3/8"F 1/2"F	SS304	110 080 073
	564	O-ring 9.12x3.53	NBR90	510 500 622
	565	O-ring 18.77x1.78	NBR90	510 500 106
	566	Outside ring	SS304	110 080 076
	567	Spring	High Tension Steel	110 080 075

Product nr.	Item	Description	Material	Part nr.
100 080 075	561	Plunger	PEEK	110 080 071
	562	Nut 1/2" F 1/2" M	SS304	110 080 072
	563	Housing 1/2"F 1/2"F	SS304	110 080 073
	564	O-ring 9.12x3.53	NBR90	510 500 622
	565	O-ring 20.35x1.78	NBR90	510 500 106
	566	Outside ring	SS304	110 080 076
	567	Spring	High Tension Steel	110 080 075