



Foam & Rinse Injector
200 045 690, 700, 710,
720, 730, 740, 750, 760

Injector

Product nr.	200 045 690
Max Pressure	200BAR
Inlet Port	3/8" M
Outlet Port	3/8" M
Max Temperature	90°C
Weight	2kg
Max Flow Injector	8L/Min
Nozzle Orifice Injector	1.2mm
Dimensions	130x130x100mm

Product nr.	200 045 700
Max Flow Injector	12L/Min
Nozzle Orifice Injector	1.5mm

Product nr.	200 045 710
Max Flow Injector	17L/Min
Nozzle Orifice Injector	1.6mm

Product nr.	200 045 720
Max Flow Injector	19L/Min
Nozzle Orifice Injector	1.7mm

Product nr.	200 045 730
Max Flow Injector	23L/Min
Nozzle Orifice Injector	1.9mm

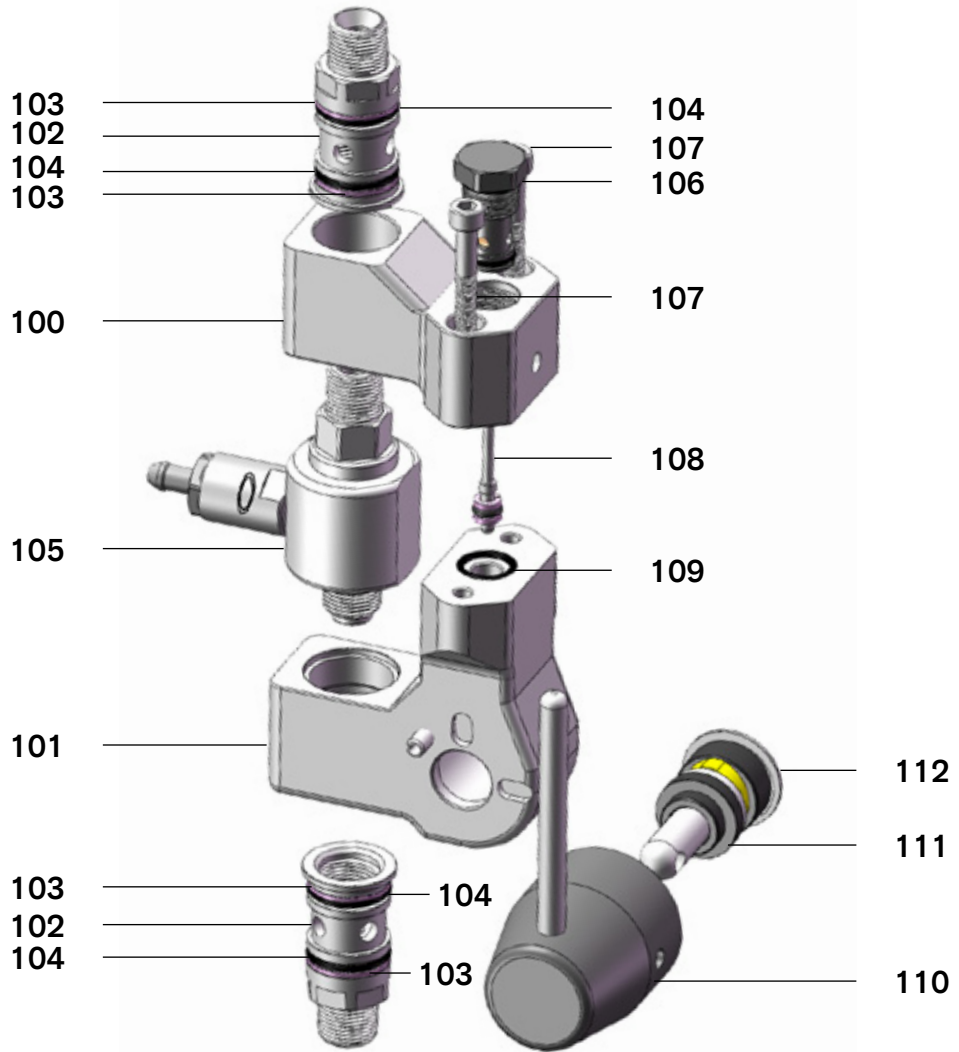
Product nr.	200 045 740
Max Flow Injector	28L/Min
Nozzle Orifice Injector	2.1mm

Product nr.	200 045 750
Max Flow Injector	31L/Min
Nozzle Orifice Injector	2.3mm

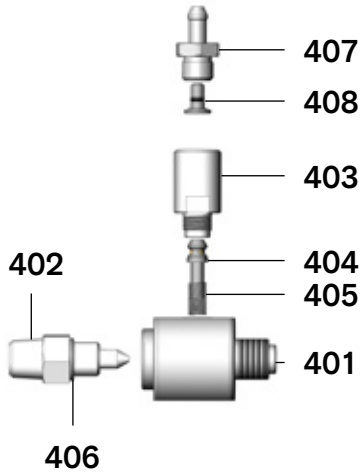
Product nr.	200 045 760
Max Flow Injector	35L/Min
Nozzle Orifice Injector	3.1mm

Features

- Foam & Rinse is a foaming device designed for the food industry, carwashes and industrial cleaning sector where foam is used to improve the cleaning results.
- The unit is an assembly of an injector in a custom body and has 2 positions.
- In the foam position chemical is sucked in through the injector. Use a dynamic lance that adds air for a good foaming result.
- Chemical dosing can be preset with 8 different restrictions ranging from 0.5 to 1.2mm. A full set is delivered with every unit.
- Simply change the handle to the rinse position to get water only.

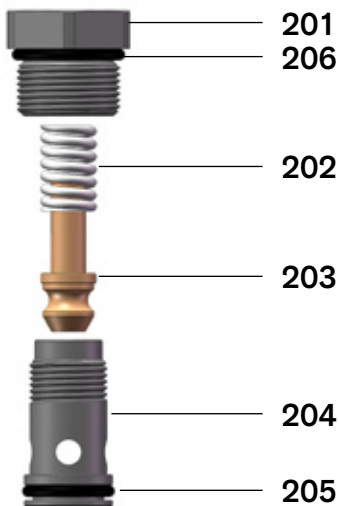


Item	Description	Part nr.	Quantity
100	Casted top body	210 045 002	1
101	Casted lower body	210 045 003	1
102	Nipple housing	210 045 014	2
103	Backup ring	210 045 011	4
104	O-ring 17.12x2.62	510 500 145	4
105	Chemical Injector	200 034 690	1
106	PEEK Valve	210 032 604	1
107	Bolt M6x35	210 040 018	2
108	Pin Assy	210 045 601	1
109	O-ring	510 500 144	1
110	Handle Assy	210 045 600	1
111	Cam Assy	210 045 012	1
112	Snap ring	210 040 017	1



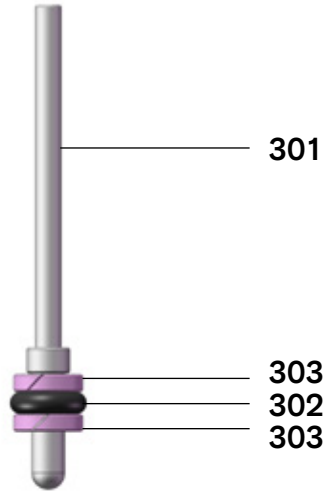
200 034 690

Item	Description	Part nr.	Quantity
401	Housing 1.8mm	210 032 533	1
402	Needle 1.2mm	210 032 534	1
403	Check Valve Body	210 032 531	1
404	Plunger	210 032 532	1
405	Soft Spring	210 032 408	1
406	O-ring 14x1.78	510 500 100	1
407	Hose tail nipple	210 034 523	1
408	Restriction 0.9mm	210 034 528	1



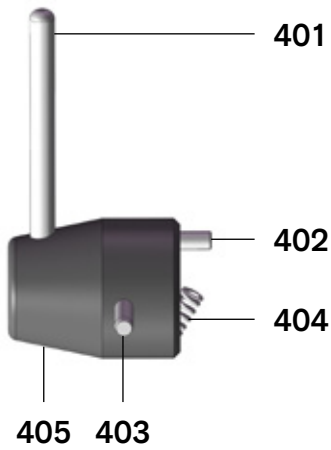
210 032 604

Item	Description	Part nr.	Quantity
201	Screw cap (no ring)	210 032 403	1
202	Spring	210 032 404	1
203	Plunger	210 032 405	1
204	Valve body	210 032 406	1
205	O-ring 10.82x1.78	510 500 104	1
206	O-ring 14x1.78	510 500 100	1



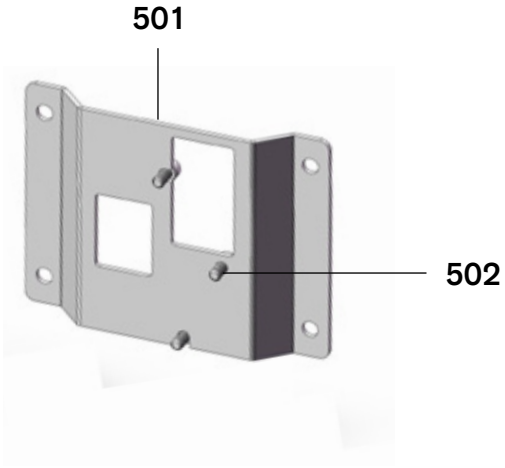
210 045 601

Item	Description	Part nr.	Quantity
301	Pin	210 045 009	1
302	O-ring 3.6x2.4	510 500 605	1
303	Teflon Ring	210 032 621	2



210 045 600

Item	Description	Part nr.	Quantity
401	Pin	210 032 212	1
402	Pin	210 032 213	1
403	Pin	210 032 214	1
404	Handle Spring	210 045 013	1
405	Handle	210 040 015	1



Accessories

210 045 001

Item	Description	Part nr.	Quantity
501	Wallmount	210 045 001	1
502	m16x10 Bolt	210 045 006	3