



Foam & Rinse Injector EasyFoamer 200 050 305, 400, 515

EasyFoamer

Product nr.	200 050 305
Pressure Range	20-150BAR
Inlet Port	1/2" F
Outlet Port	1/2" M
Max Temperature	90°C
Weight	6.4kg
Max Flow Injector	12L/Min
Nozzle Orifice Injector	1.5mm
EF Flow	4-15L/Min
EF Injector Orifice	1.5mm
EF Air Pressure Range	3-8BAR
Dimensions	185x160x130mm

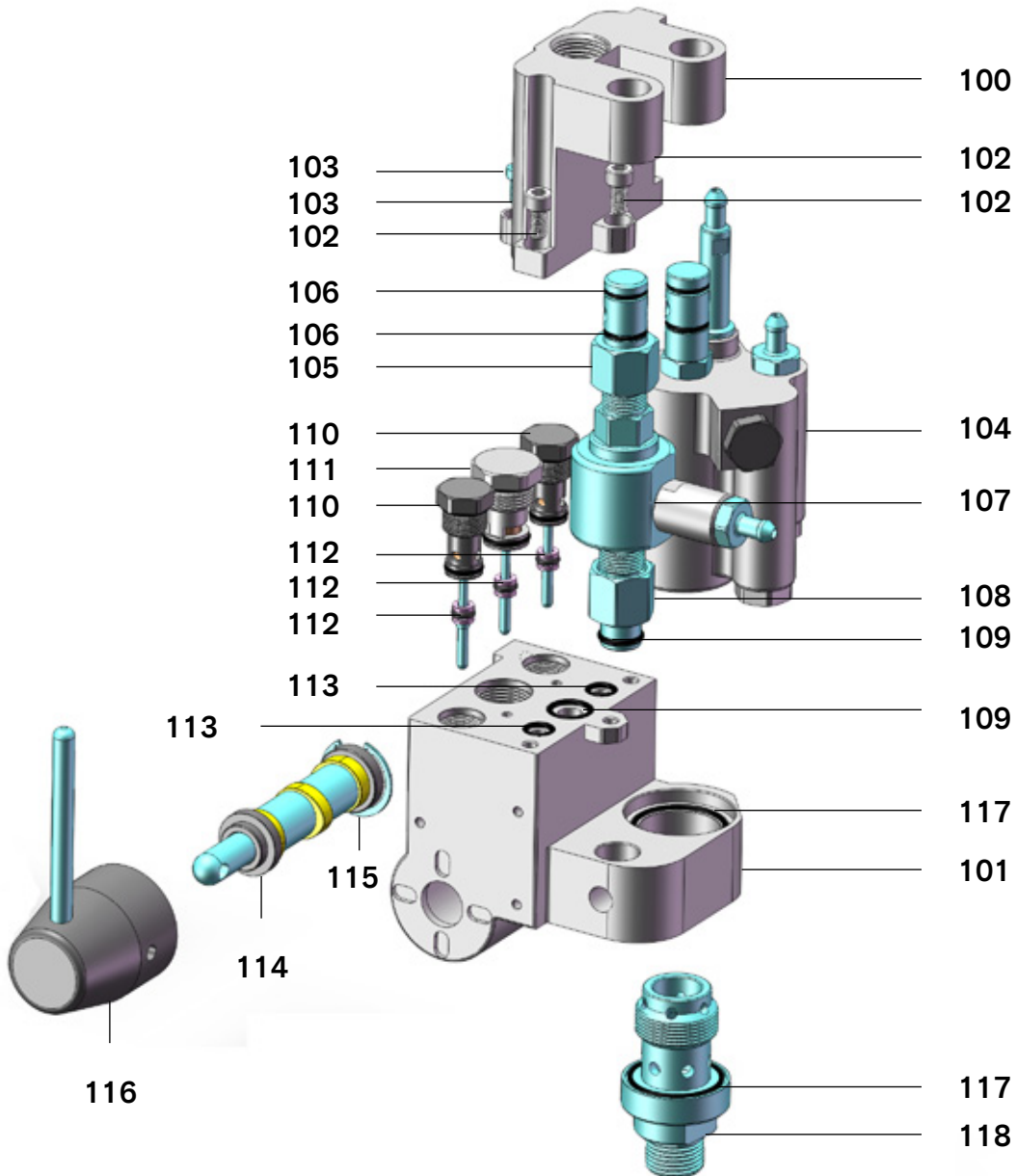
Product nr.	200 050 400
Max Flow Injector	8L/Min
Nozzle Orifice Injector	1.2mm
EF Injector Orifice	1.2mm

Product nr.	200 050 515
Pressure Range	20-50BAR
Max Flow Injector	19L/Min
Nozzle Orifice Injector	1.7mm
EF Injector Orifice	1.7mm

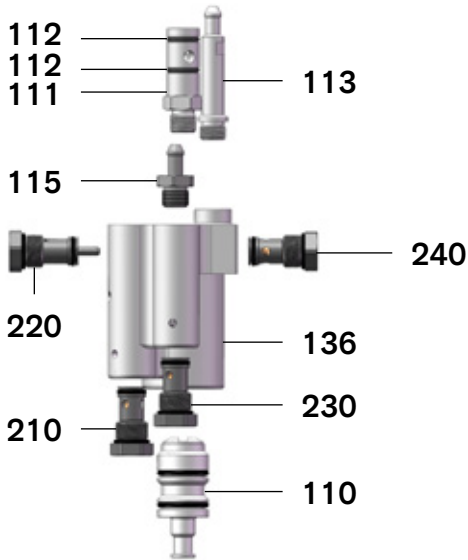
All combinations of EasyFoamer and Injector possible.
Please check catalog for right product number.

Features

- Specially designed for the food sector comes the Foam & Rinse Injector EasyFoamer.
- This unit is an assembly of EasyFoamer and injector into a custom body.
- Foam & Rinse Injector EasyFoamer is a system that's very easy to operate.
- Switch between the Foam, Disinfectant, Rinse and Closed position with only 1 handle.
- Foam through the EasyFoamer
- Disinfectant through the injector
- Rinse water straight through the unit
- Completely closed
- Simply swap lances for the best result in Foaming, spraying disinfectant and rinsing everything clean.
- Proven and simple, yet accurate, technic. Dosing is set with restrictions and every unit comes with 2 complete sets ranging from 0.5 to 1.2mm.

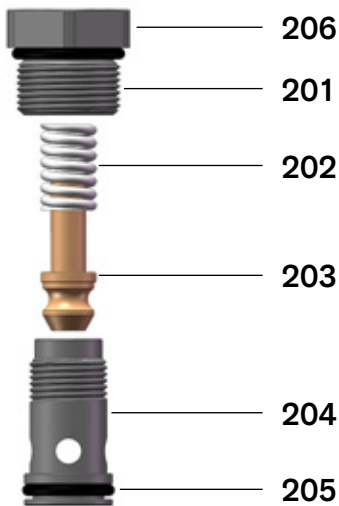


Item	Description	Part nr.	Quantity
100	Top Body	210 050 001	1
101	Lower Body	210 050 002	1
102	Bolt M6x12	210 040 014	3
103	Bolt M4x10	210 050 006	2
104	EasyFoamer Assy	210 040 700	1
105	Top injector nipple	210 050 019	1
106	O-ring	510 500 148	2
107	Chemical Injector	200 034 690	1
108	Lower injector nipple	210 050 020	1
109	O-ring	510 500 144	2
110	PEEK Valve	210 032 604	2
111	High flow PEEK valve	210 032 662	1
112	Pin Assy	210 050 301	3
113	O-ring	510 500 208	2
114	Cam Assy for F&R	210 045 010	1
115	Snapping	210 040 017	1
116	Handle Assy for F&R	210 045 600	1
117	O-ring 31.47x1.78	510 500 102	2
118	Nipple	210 040 004	1



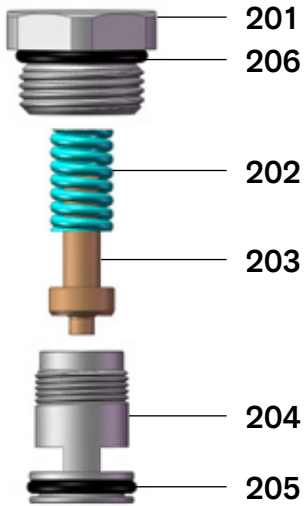
210 040 700

Item	Description	Part nr.	Quantity
110	Injector	210 032 852	1
111	Inlet connector	210 040 016	1
112	O-ring inlet connector	510 500 148	2
113	Hosetail for chemical	210 040 523	1
114	Restriction 1.0mm	210 034 529	1
115	Hosetail	210 034 523	1
136	EF Body	210 032 701	1
210	PEEK Valve	210 032 605	1
220	Piston Valve	210 032 750	1
230	PEEK Valve	210 032 645	1
240	PEEK Valve	210 032 650	1



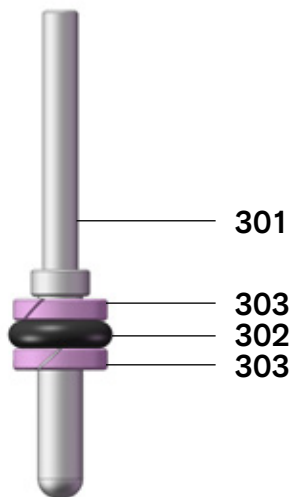
210 032 604

Item	Description	Part nr.	Quantity
201	Screw cap	210 032 403	1
202	Spring	210 032 404	1
203	Plunger	210 032 405	1
204	Valve body	210 032 406	1
205	O-ring 10.82x1.78	510 500 104	1
206	O-ring 14x1.78	510 500 100	1



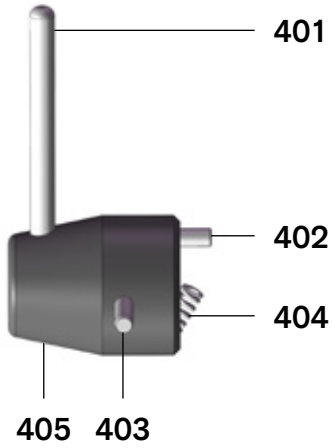
210 032 662

Item	Description	Part nr.	Quantity
201	Screw cap	210 032 415	1
202	Strong spring	210 032 418	1
203	PEEK plunger	210 032 425	1
204	Valve Body	210 032 416	1
205	O-ring 12x2	510 500 129	1
206	O-ring 16.36x2.21	510 500 128	1



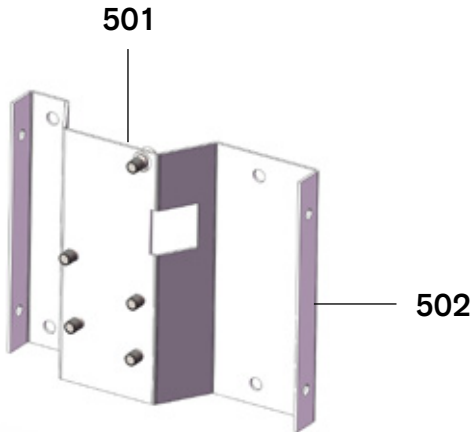
210 050 301

Item	Description	Part nr.	Quantity
301	Pin	210 032 748	1
302	O-ring 3.6x2.4	510 500 605	1
303	Teflon ring	210 032 621	2



210 045 600

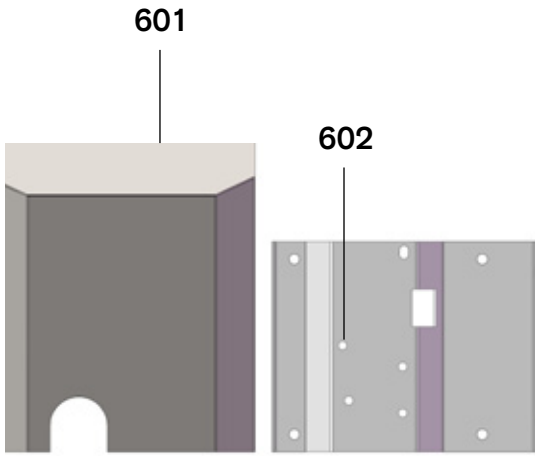
Item	Description	Part nr.	Quantity
401	Pin	210 032 212	1
402	Pin	210 032 213	1
403	Pin	210 032 214	1
404	Handle Spring	210 045 013	1
405	Handle	210 040 015	1



Accessories

210 050 345

Item	Description	Part nr.	Quantity
501	Wallmount	210 050 345	1
502	m6x12	210 041 008	5



Accessories

210 050 340

Item	Description	Part nr.	Quantity
601	Box, 215x260x135mm	210 040 001	1
602	m6x12	210 041 008	5