



Quick Coupling

Part No. 200 070 620



FEATURES

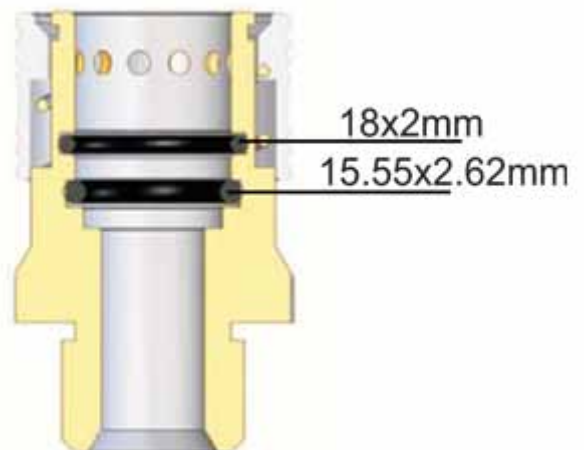
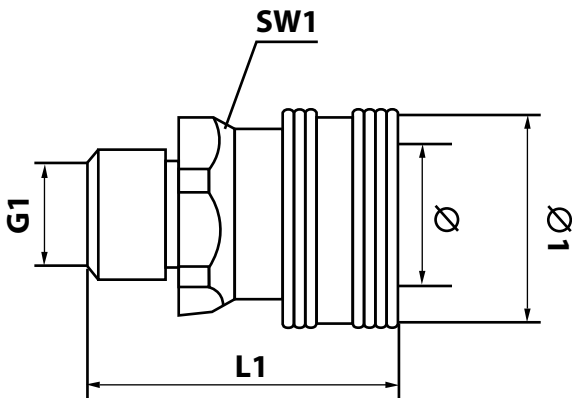
- Stainless Steel
- 12 Stainless Steel Balls
- Suitable for high pressure conditions
- O-ring NBR 90° hardness

COMMON SPECIFICATIONS

Maximum Temperature 90°C
 Throughput Medium Water, Oil
 Compressed air pH 3-12
 Pressure 380 bar
 Body Stainless Steel
 Weight 163g
 Dimensions 43 x 32 mm

SPEAR PARTS

O-ring sets: 1 x 15.55 x 2.62 mm 510 500 115
 1 x 18 x 2 mm 510 500 119



Part No.	G1 female thread	SW1	L1	Ø 1	Ø
200 070 620	G 1/2" male	30	43	32	17